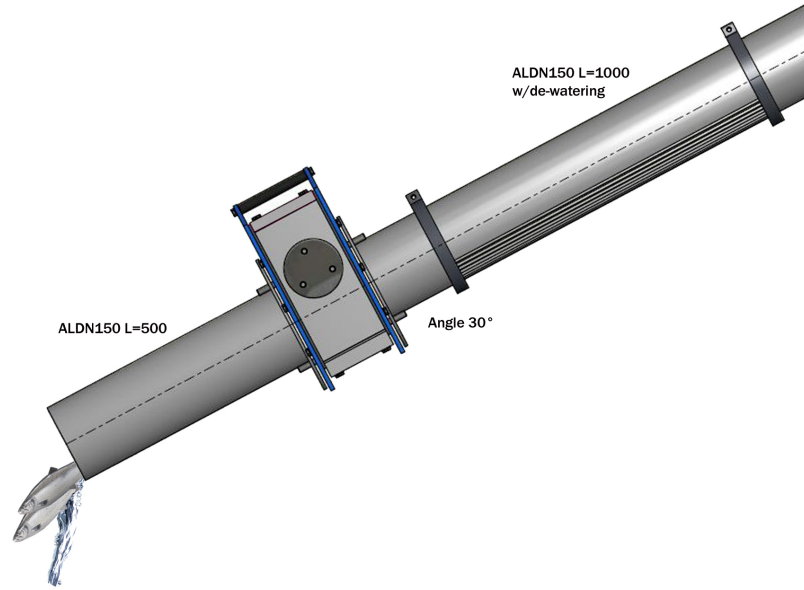



Flange to pipe adapters

Pipe material: Powder painted aluminum
Grid material: Stainless steel AISI 316



Flange adapter	DN connection	Pipe length (mm)	Pipe diameter (mm)	De-water (X)	Grid spacing (mm)	Grid length (mm)	
ALDN150,500	DN150	500	Inner dia: 150 Outer dia: 160				
ALDN150,500/2	DN150	500	Inner dia: 150 Outer dia: 160	X	2	300	
ALDN150,500/5	DN150	500	Inner dia: 150 Outer dia: 160	X	5	300	
ALDN150,500/10	DN150	500	Inner dia: 150 Outer dia: 160	X	10	300	
ALDN150,1000	DN150	1000	Inner dia: 150 Outer dia: 160				
ALDN150,1000/2	DN150	1000	Inner dia: 150 Outer dia: 160	X	2	700	
ALDN150,1000/5	DN150	1000	Inner dia: 150 Outer dia: 160	X	5	700	
ALDN150,1000/10	DN150	1000	Inner dia: 150 Outer dia: 160	X	10	700	
ALDN250,500	DN250	500	Inner dia: 240 Outer dia: 250				
ALDN250,500/2	DN250	500	Inner dia: 240 Outer dia: 250	X	2	300	
ALDN250,500/5	DN250	500	Inner dia: 240 Outer dia: 250	X	5	300	
ALDN250,500/10	DN250	500	Inner dia: 240 Outer dia: 250	X	10	300	
ALDN250,1000	DN250	1000	Inner dia: 240 Outer dia: 250				
ALDN250,1000/2	DN250	1000	Inner dia: 240 Outer dia: 250	X	2	700	
ALDN250,1000/5	DN250	1000	Inner dia: 240 Outer dia: 250	X	5	700	
ALDN250,1000/10	DN250	1000	Inner dia: 240 Outer dia: 250	X	10	700	